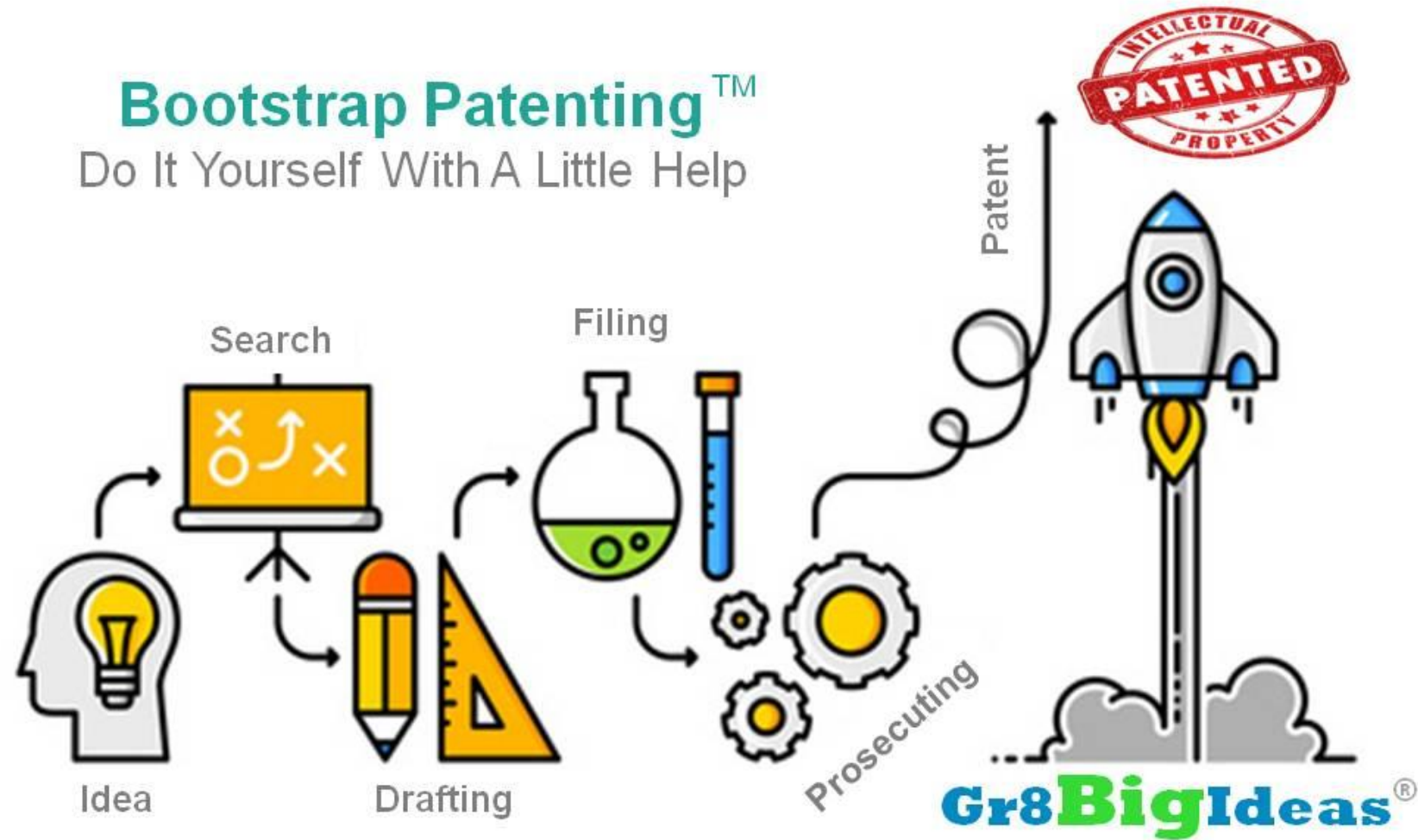


Bootstrap Patenting™

Do It Yourself With A Little Help



Common Workstreams

- + **Discussing what might be patentable** about your business or idea
- + **Developing a patent strategy** for your project or startup
- + **Searching your idea** for prior art patents
- + **Drafting a provisional patent application**

H. Brock Kolls

e: Brock@Gr8BigIdeas.com

w: www.Gr8BigIdeas.com

Types of Patents

Protect 'How It Works' Provisional Patent

- + Patent pending status for 12 months
- + Records an invention and filing date
- + No required format
- + Doesn't get examined
- + Doesn't mature into a patent
- + Low cost

Non-Provisional Utility Patent

- + Can claim the benefit of a provisional
- + Get examined
- + Can mature in a patent
- + Higher Cost

United States Patent
Carpenter et al.

(10) Patent No.: **US 9,670,047 B2**
(45) Date of Patent: **Jun. 6, 2017**

(54) **SYSTEMS AND METHODS FOR PROVIDING DYNAMIC INGREDIENT MATRIX RECONFIGURATION IN A PRODUCT DISPENSER**

(75) Inventors: **Gregg Carpenter**, Marietta, GA (US); **David R. Newman**, Atlanta, GA (US); **H. Brock Kolls**, Alpharetta, GA (US); **Son V. Tran**, Alpharetta, GA (US)

(73) Assignee: **THE COCA-COLA COMPANY**, Atlanta, GA (US)

(*) Notice: Subject to any disclaimer, the term of this patent is extended or adjusted under 35 U.S.C. 154(b) by 508 days.

(21) Appl. No.: **12/204,485**

(22) Filed: **Sep. 4, 2008**

(65) **Prior Publication Data**
US 2009/0069949 A1 Mar. 12, 2009

Related U.S. Application Data

(60) Provisional application No. 60/970,507, filed on Sep. 6, 2007.

(51) **Int. Cl.**
G05D 11/13 (2006.01)
B67D 1/00 (2006.01)
B67D 1/08 (2006.01)

(52) **U.S. Cl.**
CPC *B67D 1/0041* (2013.01); *B67D 1/0021* (2013.01); *B67D 1/0078* (2013.01); *B67D 1/0088* (2013.01); *B67D 221/00089* (2013.01)

(58) **Field of Classification Search**
CPC G05D 11/13
USPC 700/283; 222/1; 129.4; 243; 235/381
See application file for complete search history.

References Cited

U.S. PATENT DOCUMENTS

3,991,911 A 11/1976 Shannon et al.
4,358,171 A 11/1982 Christen
4,525,071 A 6/1985 Horowitz et al.
4,563,739 A 1/1986 Gerphardt et al.
(Continued)

FOREIGN PATENT DOCUMENTS

BE 1005369 6/1993
CN 1378432 11/2002
(Confirmed)

OTHER PUBLICATIONS

International Search Report and Written Opinion mailed Jun. 26, 2009 for PCT/US2008/075281.
(Continued)

ABSTRACT

Embodiments of the invention include systems and methods for providing dynamic ingredient matrix reconfiguration in a product dispenser. In one embodiment, a system can include an ingredient matrix operable to receive one or more ingredient packages within respective locations. In addition, the system can include a controller in communication with the ingredient matrix and operable to execute a set of instructions operable to receive information associated with one or more ingredient packages. Furthermore, the controller can be operable to determine at least one location within the ingredient matrix for a selected one or more ingredient packages, and output the at least one location within the ingredient matrix for insertion of selected one or more ingredient packages.

35 Claims, 15 Drawing Sheets

[See Full Patent](#)

Utility

Protect 'How It Looks' Design Patent

- + Protect a shape or pattern
- + Application is mostly drawings
- + Get examined
- + Can mature into a patent
- + Medium Cost

United States Patent [19]
Kolls

[11] Patent Number: **Des. 428,047**
[45] Date of Patent: **** Jul. 11, 2000**

[54] **ELECTRONIC COMMERCE TERMINAL ENCLOSURE**

[75] Inventor: **H. Brock Kolls**, Downingtown, Pa.

[73] Assignee: **USA Technologies, Inc.**, Wayne, Pa.

[**] Term: **14 Years**

[21] Appl. No.: **29/110,710**

[22] Filed: **Sep. 10, 1999**

[51] **LOC (7) Cl.** **18-01**

[52] **U.S. Cl.** **D18/4.6**

[58] **Field of Search** D18/4.1-4.6; D14/383; 705/15, 16, 17

References Cited

U.S. PATENT DOCUMENTS

D. 362,427 9/1995 Mizusugi et al. D18/4.4
D. 385,904 11/1997 Kim D18/4.4
D. 420,040 2/2000 Mizusugi et al. D18/4.4

CLAIM

The ornamental design for an electronic commerce terminal enclosure, as shown.

DESCRIPTION

FIG. 1 is a right side perspective view of an electronic commerce terminal enclosure showing my new design; FIG. 2 is a top plan view thereof; FIG. 3 is a bottom plan view thereof; FIG. 4 is a right side elevational view thereof; FIG. 5 is a left side elevational view thereof; FIG. 6 is a front elevational view thereof; and, FIG. 7 is a rear elevational view thereof.

1 Claim, 6 Drawing Sheets

[See Full Patent](#)

Design

Searching Tips

Some things to think about while doing your search

- Break big systems into features and subsystems; zero-in on specific areas of patentability
- Self evaluate the strength and value of your idea
- Get to a go/no-go value proposition to justify investing time and resources on the idea
- Make note of how your idea is different from the prior art
- Gather example patents of how others have patented their ideas in the same space
- See which companies are in the space
- Keep a list and copies of all the prior art references you come across

Grow Your Idea To Build A Stronger Value Proposition

How is my idea different?
 ...
 How can I make my idea better?
 ...
 How can I make my idea more valuable?
 ...

Prior Art

Prior Art References
 ...
 ...

Evaluate

Search (Think Broad)

Easy Keyword | [Google.com/Patents](https://www.google.com/patents)

Structured US only | www.uspto.gov/patents-application-process/search-patents

Download tool | [www.Pat2Pdf.org](https://www.pat2pdf.org)

International Patent/Patent Application Search

European Patent Office | <https://worldwide.espacenet.com/>

World Intellectual Property Organization | <https://patentscope.wipo.int/search/en/structuredSearch.jsf>

Classifications | Search related areas (Go Deep)

Info | www.uspto.gov/patents-application-process/patent-search/classification-standards-and-development

USPC Class Descriptions | www.uspto.gov/web/patents/classification/selectnumwithtitle.htm

Search Classes | www.uspto.gov/web/patents/classification/index.htm

Search International Classes | <https://www.wipo.int/classifications/en>

(12) **United States Patent**
Kolls et al.

(10) **Patent No.:** US 9,512,018 B1
 (45) **Date of Patent:** Dec. 6, 2016

(54) **SAFE CLEAN DRINKING WATER, THE WORLDWIDE CHALLENGE OF PREVENTING WATERBORNE ILLNESSES**

(76) Inventors: **H. Brock Kolls**, Alpharetta, GA (US);
Christine C. Kolls, Alpharetta, GA (US)

(*) Notice: Subject to any disclaimer, the term of this patent is extended or adjusted under 35 U.S.C. 154(b) by 853 days.

(21) Appl. No.: **13/550,634**

(22) Filed: **Jul. 17, 2012**

Related U.S. Application Data

(60) Provisional application No. 61/510,825, filed on Jul. 22, 2011.

(51) **Int. Cl.**
C02F 1/48 (2006.01)
C02F 1/467 (2006.01)
C02F 1/461 (2006.01)

(52) **U.S. Cl.**
 CPC **C02F 1/487** (2013.01); **C02F 1/467** (2013.01); **C02F 1/46104** (2013.01); **C02F 1/46109** (2013.01); **C02F 1/48** (2013.01); **C02F 2001/46171** (2013.01); **C02F 2201/46145** (2013.01)

(58) **Field of Classification Search**
 CPC C02F 1/005; C02F 1/008; C02F 1/4608; C02F 1/461; C02F 1/46104; C02F 1/46109; C02F 1/46114; C02F 1/4618; C02F 1/467; C02F 1/48; C02F 1/485; C02F 1/487; C02F 1/50; C02F 1/505; C02F 9/00; C02F 9/005; C02F 2001/46152; C02F 2001/46171; C02F 2001/46185; C02F 2201/46145

See application file for complete search history.

(56) References Cited

U.S. PATENT DOCUMENTS

4,552,664 A * 11/1985 Benner 210/695
 4,608,247 A 8/1986 Heinig, Jr.
 4,719,018 A * 1/1988 Przybylski 210/748.19
 5,091,152 A * 2/1992 Thomas, Sr. 204/228.6
 5,783,090 A 7/1998 Gleen
 6,217,892 B1 4/2001 King
 6,875,360 B2 * 4/2005 Allen et al. 210/695
 7,582,198 B2 9/2009 Wilkins et al.
 2006/0130481 A1 * 6/2006 Browe 60/641.8
 2009/0152207 A1 * 6/2009 Asokan A61L 2/02
 210/748.01
 2010/0193359 A1 * 8/2010 Mierswa 204/554

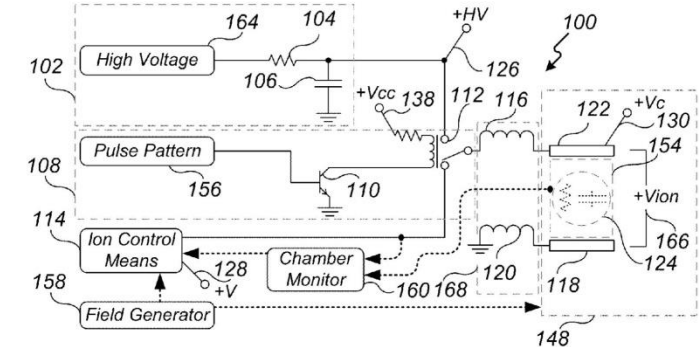
* cited by examiner

Primary Examiner — David C Mellon
 (74) Attorney, Agent, or Firm — H. Brock Kolls

(57) ABSTRACT

The present invention relates to an improved treatment system for inactivating microorganisms. An ion control means generates ions and compensates for conductivity variations in a liquid medium surrounding a microorganism. This increases the microorganism susceptibility to inactivation, by way of an inactivation pulse. A high intensity pulse means used in combination with the ion control means, delivers the inactivation pulse. Exemplary embodiments include a field generator, which generates a field that encompasses the microorganism diminishing ability of the microorganism to regulate proper cellular function, and a pulse pattern switching means. The pulse pattern switching means repeatedly alternates between generating ions by way of the ion control means and delivering the inactivation pulse by way of the high intensity pulse means.

17 Claims, 8 Drawing Sheets



[See Full Patent](#)

Patent Application Example

Application Outline

- Abstract
- Title
- Technical Field of the Invention
- Background of the Invention
- Summary of the Invention
- Brief Description of the Figures
- Detailed Description of the Invention
- Figures
- What Is Your Invention

[Provisional Patent Application Template](#)

Work Backwards

Start

What Is Your Invention

A **method** of building a snowman comprising:
forming a plurality of snowballs;
stacking the plurality of snowballs; and
decorating the plurality of snowballs with a snowman attire.

Brief Description of the Figures

Fig. 1 illustrates one example of a **snowman** 1; and Fig. 2 illustrates one example of a **method** of building a snowman.

Summary of the Invention

Shortcomings of the prior art are overcome and additional advantages are provided through the provision of a **method** of building a snowman comprising forming a plurality of snowballs, stacking the plurality of snowballs, and decorating the plurality of snowballs with a snowman attire.

Background of the Invention

Before our invention, a shortcoming of prior art

Another shortcoming of prior art ...

For these reasons and shortcomings as well as other reasons and shortcomings there is a long felt need that gives rise to the present invention.

Figures

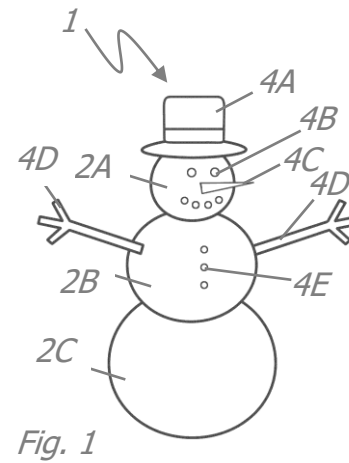


Fig. 1

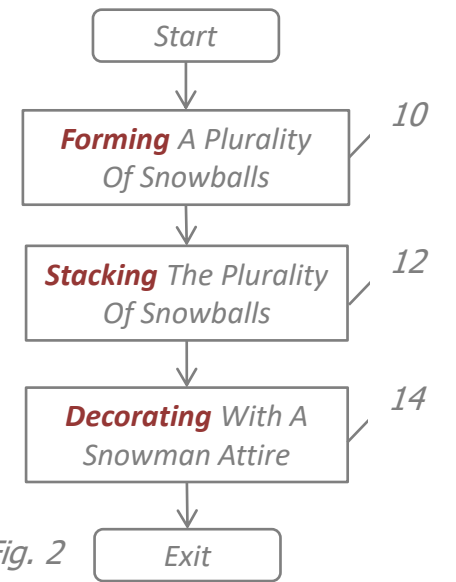


Fig. 2

[Drawing Requirements](#) (see A-G)

Detailed Description of the Invention

Referring to Figure 1, there is illustrated one example of a **snowman** 1. In an exemplary embodiment, the snowman 1 can be created by stacking a plurality of snowballs 2A-2C and decorating the snowballs 2A-2C with a snowman attire 4A-4E. Such snowman attire can include for example a hat 4A, coal eyes and mouth 4B, a carrot nose 4C, a plurality of arms 4D, and coal buttons 4E.

Referring to Figure 2, there is illustrated one example of a **method** of building a snowman. The method starts in block 10.

In block 10, a plurality of snowballs 2A-2C are **formed**. The method moves to block 12.

In block 12, the snowballs are **stacked** to form a snowman 1. The method moves to block 14.

In block 14, the snowman 1 is **decorated** with snowman attire 4A-4E. The method is then exited.

Technical Field of the Invention

This invention relates to a **method** of building a snowman.

Title

Method Of Building A Snowman

Abstract

This invention relates to a **method** of building a snowman. The method comprising steps of forming a plurality of snowballs, stacking the plurality of snowballs to create a snowman, and decorating the plurality of snowballs with a snowman attire.

Cheat Sheet For Patent Procedures, Laws, & Rules

Manual of Patent Examining Procedures (MPEP) | www.uspto.gov/web/offices/pac/mpep/index.html

MPEP Table of Contents

- Chapter 100 - [PDF](#) [Secrecy, Access, National Security, and Foreign Filing](#)
- Chapter 200 - [PDF](#) [Types and Status of Application; Benefit and Priority Claims](#)
- Chapter 300 - [PDF](#) [Ownership and Assignment](#)
- Chapter 400 - [PDF](#) [Representative of Applicant or Owner](#)
- Chapter 500 - [PDF](#) [Receipt and Handling of Mail and Papers](#)
- Chapter 600 - [PDF](#) [Parts, Form, and Content of Application](#)
- Chapter 700 - [PDF](#) [Examination of Applications](#)
- Chapter 800 - [PDF](#) [Restriction in Applications Filed Under 35 U.S.C. 111; Double Patenting](#)
- Chapter 900 - [PDF](#) [Prior Art, Classification, and Search](#)
- Chapter 1000 - [PDF](#) [Matters Decided by Various U.S. Patent and Trademark Office Officials](#)
- Chapter 1100 - [PDF](#) [Statutory Invention Registration \(SIR\); Pre-Grant Publication \(PGPub\) and Preissuance Submissions](#)
- Chapter 1200 - [PDF](#) [Appeal](#)
- Chapter 1300 - [PDF](#) [Allowance and Issue](#)
- Chapter 1400 - [PDF](#) [Correction of Patents](#)
- Chapter 1500 - [PDF](#) [Design Patents](#)
- Chapter 1600 - [PDF](#) [Plant Patents](#)
- Chapter 1700 - [PDF](#) [Miscellaneous](#)
- Chapter 1800 - [PDF](#) [Patent Cooperation Treaty](#)
- Chapter 1900 - [PDF](#) [Protest](#)
- Chapter 2000 - [PDF](#) [Duty of Disclosure](#)
- Chapter 2100 - [PDF](#) [Patentability](#)
- Chapter 2200 - [PDF](#) [Citation of Prior Art and Ex Parte Reexamination of Patents](#)
- Chapter 2300 - [PDF](#) [Interference and Derivation Proceedings](#)
- Chapter 2400 - [PDF](#) [Biotechnology](#)
- Chapter 2500 - [PDF](#) [Maintenance Fees](#)
- Chapter 2600 - [PDF](#) [Optional Inter Partes Reexamination](#)
- Chapter 2700 - [PDF](#) [Patent Terms and Extensions](#)
- Chapter 2800 - [PDF](#) [Supplemental Examination](#)
- Chapter 2900 - [PDF](#) [International Design Applications](#)
- Appendix II - [PDF](#) [List of Decisions Cited](#)

Laws

Appendix L - [PDF](#) [Patent Laws](#)

Rules

Appendix R - [PDF](#) [Patent Rules](#)

Appendix T - [PDF](#) [Patent Cooperation Treaty](#)

Appendix AI - [PDF](#) [Administrative Instructions Under the PCT](#)

Appendix P - [PDF](#) [Paris Convention](#)

[MPEP Subject Matter Index](#) [PDF](#)

← **Easiest way to find things in MPEP**

Select Patent Laws

Common Examiner Rejections

[35 U.S.C. 101 - Inventions patentable.](#)

[35 U.S.C. 102 - Conditions for patentability; novelty.](#)

[35 U.S.C. 103 - Conditions for patentability; non-obvious subject matter.](#)

[35 U.S.C. 112 - Specification.](#)

[35 U.S.C. 111 - Application.](#)

[35 U.S.C. 113 - Drawings.](#)

[35 U.S.C. 115 - Inventor's oath or declaration.](#)

[35 U.S.C. 116 - Inventors.](#)

[35 U.S.C. 119 - Benefit of earlier filing date; right of priority.](#)

[35 U.S.C. 120 - Benefit of earlier filing date in the United States.](#)

[35 U.S.C. 121 - Divisional applications.](#)

[35 U.S.C. 122 - Confidential status of applications; publication of patent applications.](#)

[35 U.S.C. 123 - Micro entity defined.](#)

[35 U.S.C. 151 - Issue of patent.](#)

[35 U.S.C. 152 - Issue of patent to assignee.](#)

[35 U.S.C. 153 - How issued.](#)

[35 U.S.C. 154 - Contents and term of patent; provisional rights.](#)

[35 U.S.C. 162 - Description, claim.](#)

[35 U.S.C. 163 - Grant.](#)

[35 U.S.C. 171 - Patents for designs.](#)

[35 U.S.C. 173 - Term of design patent.](#)

[35 U.S.C. 182 - Abandonment of invention for unauthorized disclosure.](#)

[35 U.S.C. 184 - Filing of application in foreign country.](#)

[35 U.S.C. 185 - Patent barred for filing without license.](#)

[35 U.S.C. 186 - Penalty.](#)

[35 U.S.C. 188 - Rules and regulations, delegation of power.](#)

[35 U.S.C. 205 - Confidentiality.](#)

[35 U.S.C. 254 - Certificate of correction of Patent and Trademark Office mistake.](#)

[35 U.S.C. 255 - Certificate of correction of applicant's mistake.](#)

[35 U.S.C. 256 - Correction of named inventor.](#)

[35 U.S.C. 261 - Ownership; assignment.](#)

[35 U.S.C. 262 - Joint owners.](#)

[35 U.S.C. 271 - Infringement of patent.](#)

[35 U.S.C. 273 - Defense to infringement based on prior commercial use.](#)

[35 U.S.C. 281 - Remedy for infringement of patent.](#)

[35 U.S.C. 282 - Presumption of validity; defenses.](#)

[35 U.S.C. 284 - Damages.](#)

[35 U.S.C. 286 - Time limitation on damages.](#)

[35 U.S.C. 287 - Limitation on damages and other remedies; marking and notice.](#)

[35 U.S.C. 288 - Action for infringement of a patent containing an invalid claim.](#)

[35 U.S.C. 289 - Additional remedy for infringement of design patent.](#)

[35 U.S.C. 291 - Derived Patents.](#)

[Index INDEX OF PATENT LAWS](#)